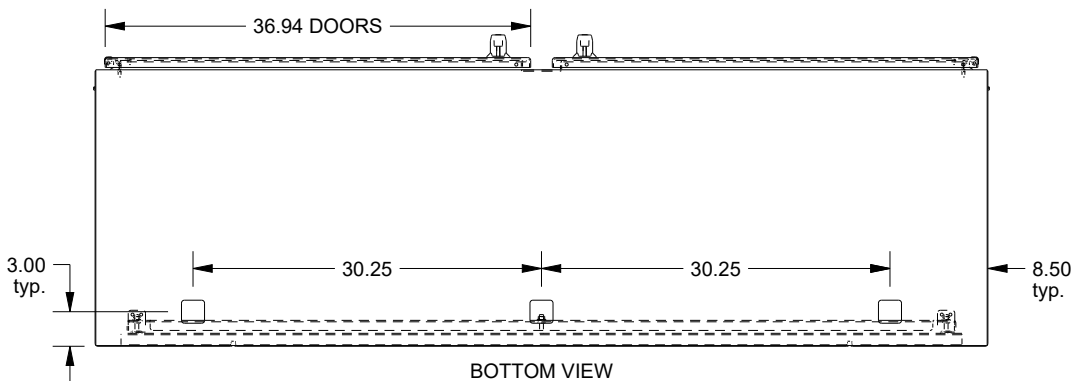
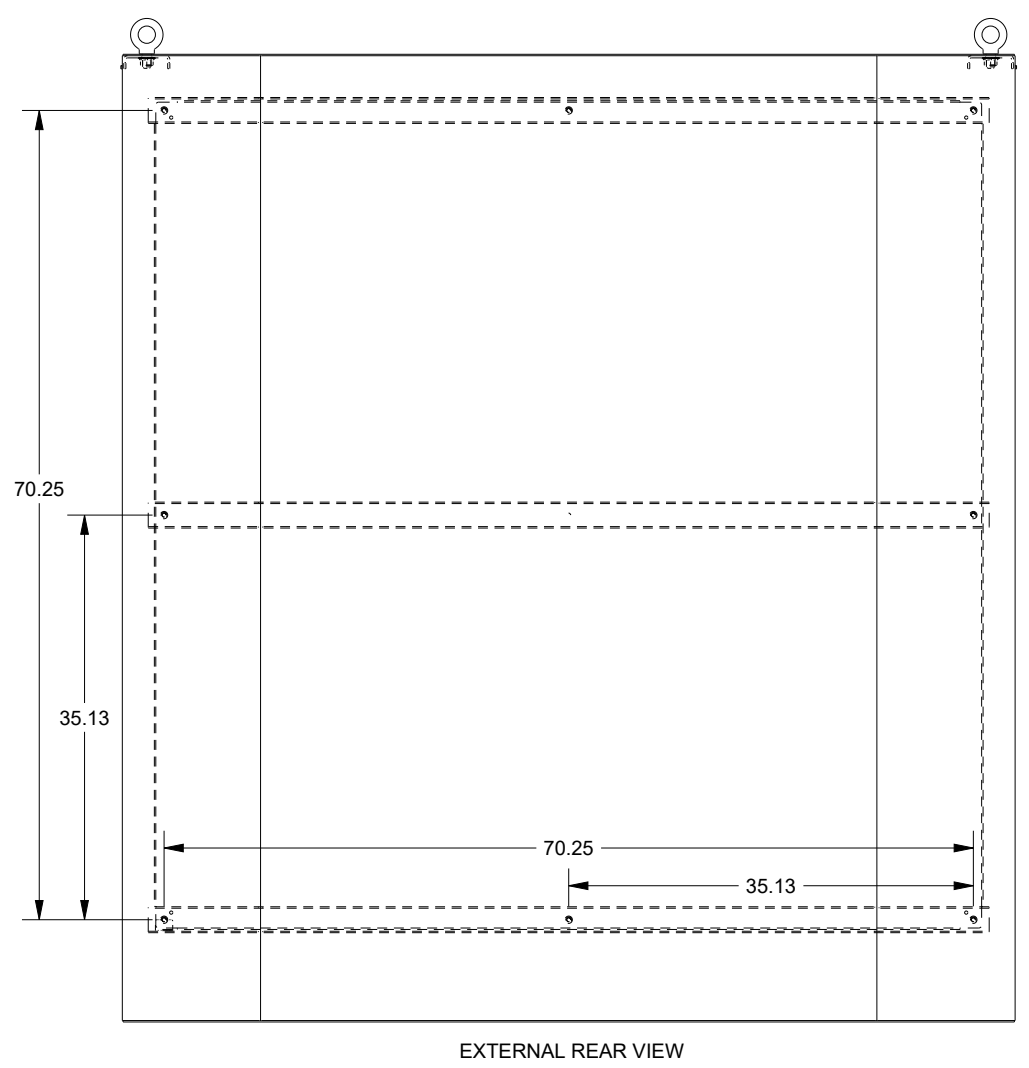
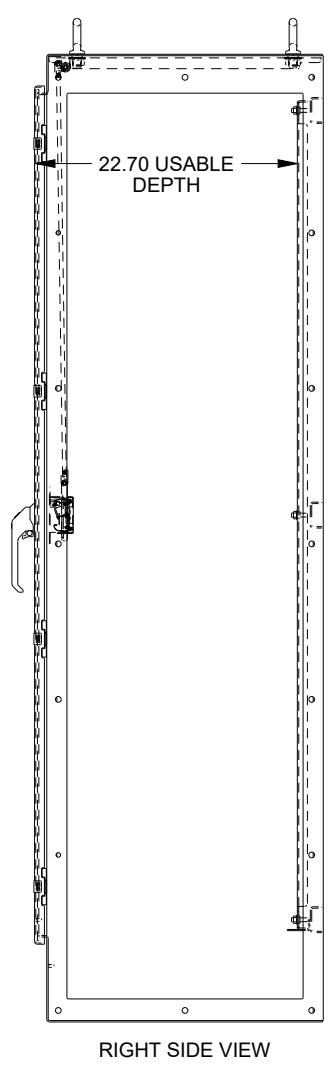
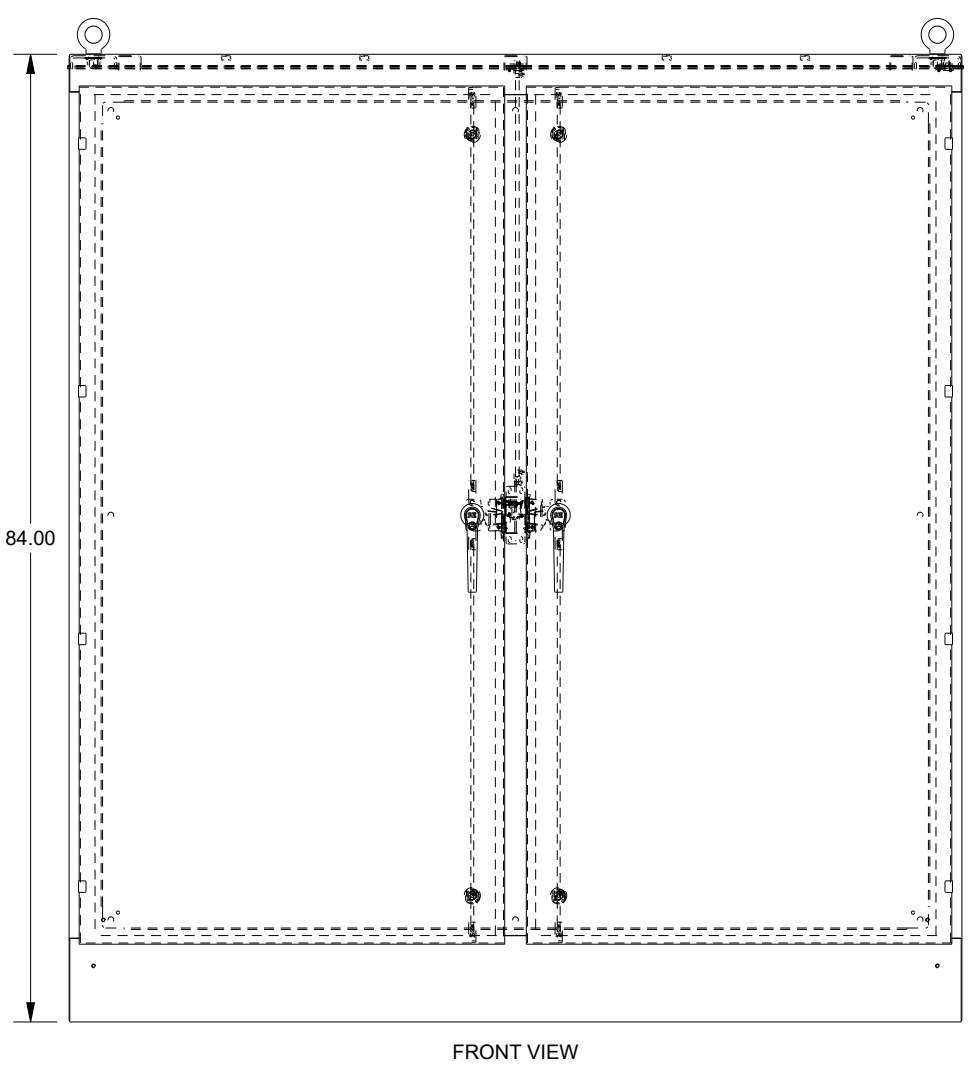
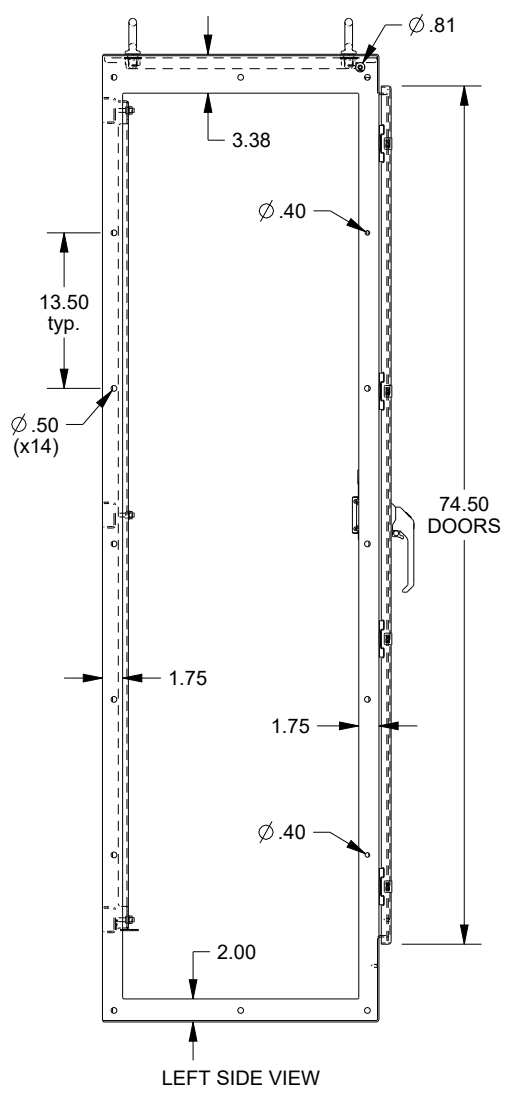
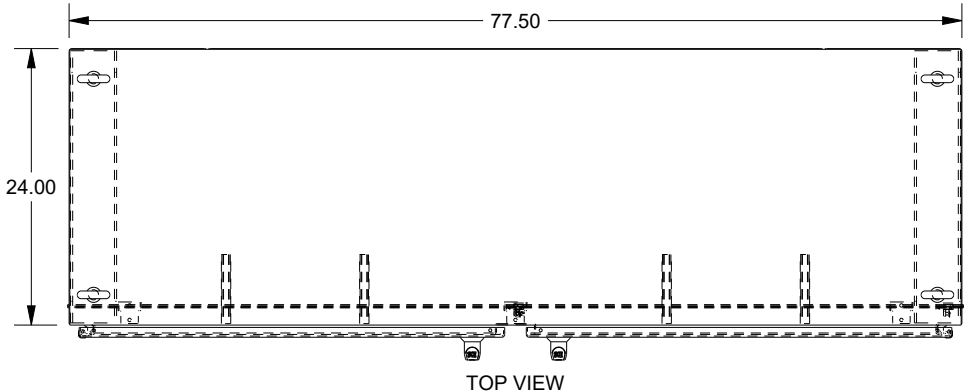


SAGINAW CONTROL & ENGINEERING

SCE-84XMC2D24



WASH SYSTEM 2" SQUARE DRAIN HOLES IN THE BOTTOM WITH UL APPROVED HOLE SEALS PROVIDED